

Training at PDSVISION

Training is one of the best investments a company can make; it is not a huge expense, it creates a better quality of work, it creates efficiency and it is fun! PDSVISION is proud to be a Certified Platinum Training Provider of PTC courses.

Whether you are a first-time or an experienced user we offer suitable training for your needs. Greater knowledge contributes to increased efficiency and higher quality of work.

Detailing using Creo Parametric

Course Length: 2 Days

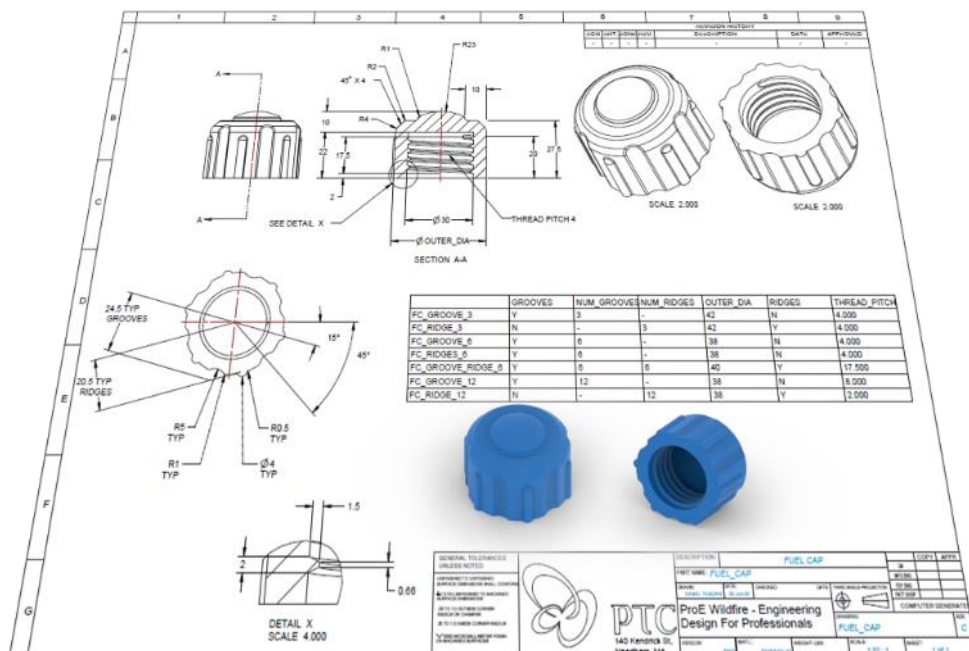
Prerequisites: Introduction to Creo Parametric or relevant user experience

Audience: User that needs efficiently create drawings and Creo Parametric administrators

Course Description:

Detailing with Creo Parametric is a comprehensive training course that teaches you how to quickly create detailed drawings using information captured within 3-D design models. In this course, you learn how to create drawings, how to detail drawings, and how to take advantage of the parametric and associative nature of Creo Parametric when configuring drawings.

After completing this course, you will be able to create production drawings suitable for manufacturing.



Course Content:

The course is divided into 14 different modules describing the most common features and functions used while creating drawings.

The last module is a drawing creation project, designed to let the students apply their newly acquired skills. A finished model and an existing drawing will be used as input to recreate the same drawing.

Day 1

- Module 1 Introduction to Drawings
- Module 2 Creating New Drawings
- Module 3 Creating Drawing Views
- Module 4 Adding Model Details to Drawings
- Module 5 Adding Notes to Drawings
- Module 6 Adding Tolerance Information

Day 2

- Module 8 Using Layers in Drawings
- Module 9 Creating and Using Tables in Drawings
- Module 10 Using Report Information in Drawings
- Module 11 Creating Drawing Formats
- Module 12 Configuring the Drawing Environment
- Module 13 Managing Large Drawings
- Project Create drawing of fuel tank